

kanto 
YU2

POWERED SPEAKERS

Table of Contents

Important Safety Precautions	2	Connecting Audio Sources	6
Introduction / What's in the Box?	3	Connecting a Sub-Woofer.	7
Front & Rear Panels	4	Specifications / Warranty	8
Setting Up Your Speakers	5		

Important Safety Precautions



ATTENTION

The exclamation point within an equilateral triangle is intended to alert the user of the presence of important operating and maintenance (servicing) instructions in the literature accompanying the apparatus.

- Read these instructions.
- Keep these instructions.
- Heed all warnings.
- Follow all instructions.
- Do not use this apparatus near water.
- Clean only with a dry cloth.
- Do not block any ventilation openings. Install in accordance with the manufacturer's instructions.
- Do not install near any heat sources such as radiators, heat registers, stoves, or other apparatus (including amplifiers) that produce heat.
- Protect the power-supply cord from being walked on or pinched, particularly at plugs, convenience receptacles and the point where they exit from the apparatus.
- Only use attachments / accessories specified by the manufacturer.
- Use only with the cart, stand, tripod, bracket, or table specified by the manufacturer, or sold with the apparatus.



CAUTION: TO REDUCE THE RISK OF ELECTRIC SHOCK, DO NOT REMOVE BACK PANEL. NO USER SERVICEABLE PARTS INSIDE. REFER SERVICING TO QUALIFIED SERVICE PERSONNEL.



DANGEROUS VOLTAGE

The lightning flash with arrowhead, within an equilateral triangle, is intended to alert the user of the presence of non-insulated "dangerous voltage" within the product's enclosure that may be of sufficient magnitude to constitute a risk of electric shock to persons.

- When a cart is used, use caution when moving the cart/apparatus combination to avoid injury from tip-over.
- Unplug this apparatus during lightning storms or when unused for long periods of time.
- Refer all servicing to qualified service personnel. Servicing is required when the apparatus has been damaged in any way, such as power-supply cord or plug is damaged, liquid has been spilled or objects have fallen into the apparatus, the apparatus has been exposed to rain or moisture, the apparatus does not operate normally, or the apparatus has been dropped.
- Apparatus shall be connected to a MAINS socket outlet with a protective earthing connection.
- An appliance input coupler is used as the disconnect device - the disconnect device shall remain readily operable.
- Batteries or battery packs shall not be exposed to excessive heat such as sunshine, fire or the like.

FCC Warnings

- Changes or modifications not expressly approved by the party responsible for compliance could void the user's authority to operate the equipment.
- This equipment has been tested and found to comply with the limits for a Class B digital device, pursuant to Part 15 of the FCC Rules.

FCC Notice:

- This device complies with part 15 of the FCC Rules. Operation is subject to the following two conditions: (1) This device may not cause harmful interference, and (2) this device must accept any interference received, including interference that may cause undesired operation.

Industry Canada Notice:

- Complies with CAN ICES-3(B) / NMB-3(B)

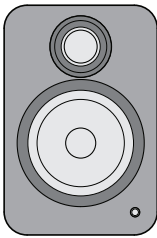
Introduction

Thank you for choosing YU2 Powered Speakers, designed by Kanto in Canada. YU2 outputs 25W RMS per channel into 4 Ohm speakers, for remarkably bold and clean sound. Excellent sensitivity and frequency response provide deep thumping lows and clear, scintillating highs, surprising for speakers of this size. YU2 is a remarkably flexible computer speaker system that can accept two input sources and connect to a subwoofer for enhanced low frequency effect (LFE).

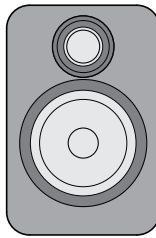
We recommend you read all instructions carefully before using the system, and keep them for future reference. Kanto cannot be liable for damage or injury caused by incorrect setup or use of this product.

This powered speaker system was carefully tested and inspected during production, and before packaging and shipping. After unpacking, please check for any damage. It is rare that a unit is damaged during shipping, but if this happens contact your retailer immediately. You can also call Kanto directly at 1-888-848-2643 or email support@kantoliving.com.

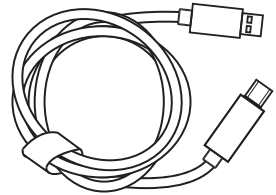
What's In the Box?



YU2 Active Speaker



YU2 Passive Speaker



USB cable


x8

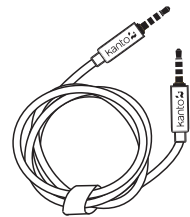
Self-Adhesive Rubber Feet



AC/DC Adapter



Speaker Wire (10')



3.5mm AUX cable

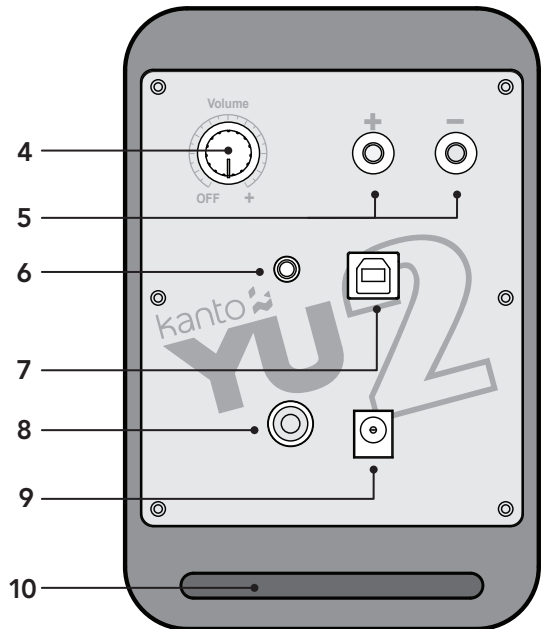
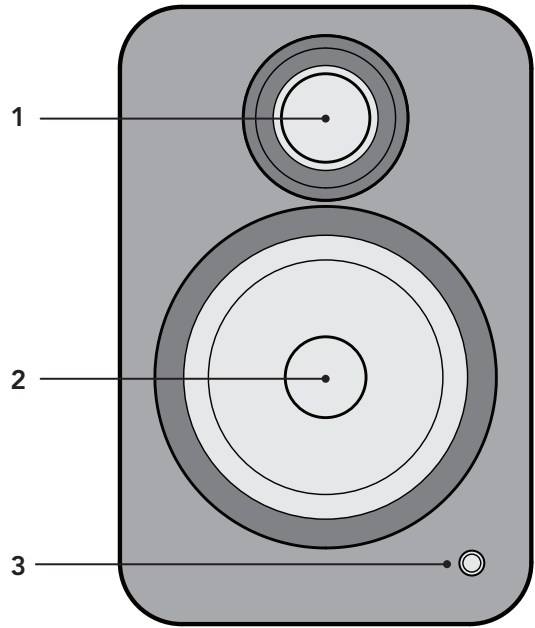
Front & Rear Panels

FRONT PANEL

- 1 3/4" Silk Dome Tweeter
- 2 3" Kevlar Mid/Woofer Driver
- 3 LED

REAR PANEL

- 4 ON/OFF Switch and Volume Control
- 5 Right Channel Output Terminals (+ and -) for Passive Speaker Connection
- 6 3.5mm Stereo Mini-Jack AUX
- 7 USB Audio Input Connector
- 8 Subwoofer Output
- 9 DC Input Connection
- 10 Bass Reflex Port



Setting Up Your Speakers

The YU2 powered speaker system is designed for either desktop or bookshelf mounting to enhance your computer audio listening in a near-field environment. However, the YU2 can also be used as a stand-alone stereo speaker system mated with a multitude of audio sources.

In either setup, the space between the two speakers and the distance from the rear wall is important. If the speakers are positioned too close or too far apart, stereo imaging will not be fully developed.

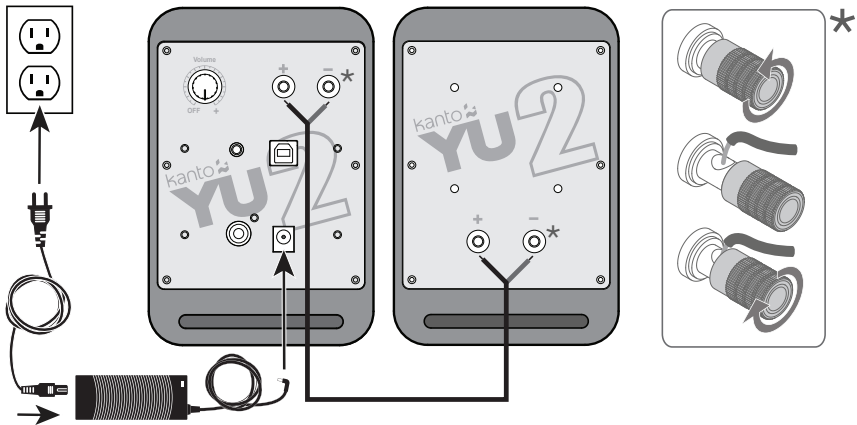
The YU2 is designed to perform optimally positioned at least 20cm to 25cm from the rear wall for best bass response. Regardless of the setup you choose, keep in mind that rooms vary in shape, size, and furnishing; a certain amount of experimentation may be necessary to determine the most suitable position that delivers the most satisfying sound performance.

Ensure that the ON/OFF Switch is in the OFF position.

Connect the two speakers together as shown below using the supplied speaker cable. Connect the RED (+) and BLACK (-) terminals from the active speaker (left) to the corresponding terminals on the passive speaker (right). If you wish to place your speakers farther apart than the supplied cable will reach, we recommend that you purchase a heavier gauge of speaker cable to minimize signal loss.

Follow the instructions on the ensuing pages to connect your audio sources to YU2. The examples in the following pages are not meant to be exhaustive - just examples.

Connect the AC/DC power supply from YU2's active speaker to your wall outlet. Turn YU2's Volume Control clockwise to the ON position, then adjust the volume.



ATTENTION

When connecting audio cables the ON/OFF Switch must be turned OFF. After connecting all cables, the unit can be turned ON.

When the volume is high, this system can produce noise levels that could permanently damage your hearing. YU2 is a self-powered speaker system. Do not connect the speaker terminals to the speaker outputs of a stereo amplifier. Damage may occur. Use only the power supply provided with the speakers.

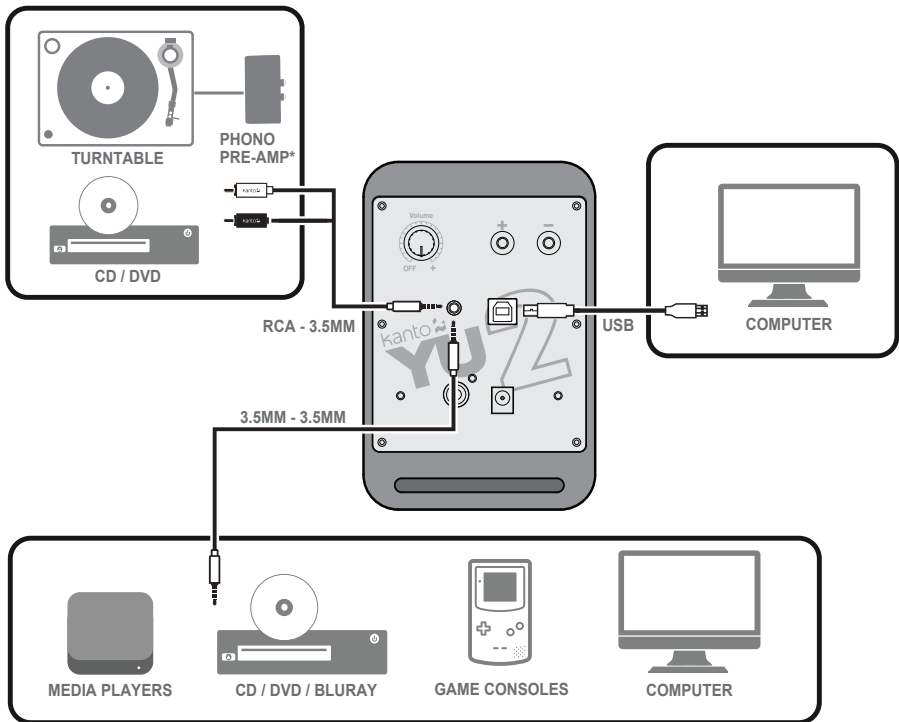
Connecting Audio Sources

Use the appropriate audio cable to connect your audio source components to your speakers.

- 3.5mm stereo mini-jack AUX cable
- Stereo RCA to 3.5mm stereo mini-jack AUX cable
- USB-A to USB-B cable

The YU2 features a high quality USB DAC (digital-to-analog converter) that supports data streams up to 16-bit/48kHz resolution. When connecting your computer via USB connection, you bypass the noisy built-in DAC of the computer, and audio signals are instead decoded by YU2's DAC. This delivers rich and distortion-free sound to the speakers.

If you choose to connect your speakers via the USB interface, please ensure you have changed the proper audio output settings in your computer - that is, audio signals are output to the YU2 speakers and not to your computer's internal speakers. Select "USB Audio DAC" as the output device in your computer audio settings.



ATTENTION

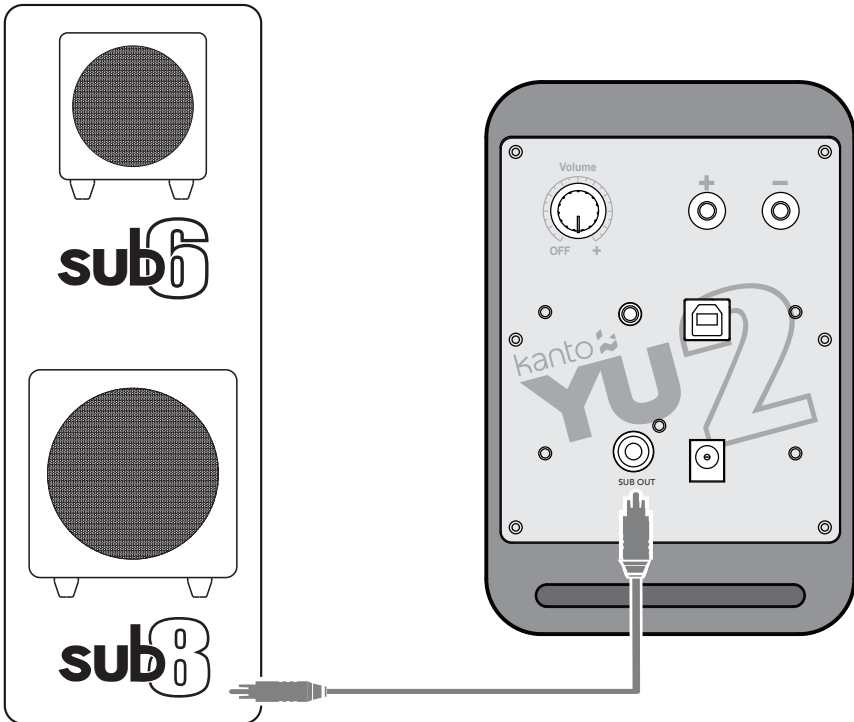
**Some models of turntables include a built-in Phono Pre-Amp.*

Connecting a Subwoofer

YU2 is equipped with an RCA connector to provide output signal to a powered subwoofer. Simply connect a single RCA subwoofer cable from the SUB OUT connection on YU2 to the AUDIO INPUT on your subwoofer. If your sub-woofer has a stereo L/R RCA input, either left or right inputs will work.

We recommend the Kanto **sub6** or **sub8** powered subwoofer with crossover and volume controls. Most quality subwoofers offer these controls, which allow you to customize the amount of bass you will experience.

Look for details on the Kanto website at: www.kantospeakers.com



Audio Troubleshooting Guide

Frequently asked questions about Kanto's YU2 speakers.

1. **None of the lights on the front panel are illuminated.**
 - Make sure the power cable is connected to the speaker and power outlet.
 - Ensure that the power outlet is providing power.
 - Verify that the power switch on the rear of the speaker is in the "On" position.
2. **The light on the front panel is illuminated but there's no audio playing.**
 - Set the volume of the source to its highest level. Ensure audio source is playing audio.
 - Check that the audio cable connected to and from the source is firmly connected. Test another audio cable if available.
 - Verify that the volume of the speaker is not at its minimum level. Turn the volume up using the knob on the rear of the speakers.
3. **Audio is only playing through one speaker.**
 - Reconnect the speaker wire between the active speaker and passive speaker and ensure the ends of the speaker wire are fastened securely through the binding posts.
 - Check that the audio cable connected to and from the source is firmly seated. Try a different cable or source to isolate the issue.
 - Ensure that the balance setting on the source is centered. Some sources may not have an adjustable balance setting.
 - If using the USB input switch the audio output of your source may not have an adjustable balance setting.
4. **You are experiencing poor audio quality.**
 - Set the volume of the source to its highest level. Low source volume can negatively affect dynamic range.
 - Verify that the speaker wire is connected to the same color terminals on the active speaker and passive speaker.
 - Ensure that the rear of the speaker is spaced away from the wall by at least 8 inches, allowing the rear port function to be left unimpeded.
 - Test a different song or source to isolate the issue.
5. **You are experiencing buzzing, hissing or distortion.**
 - Verify if the noise is coming from the source by removing all sources from the speakers.
 - Make sure it is not a power issue by trying a power outlet that is on a different circuit.
 - Check that the audio cable connected to and from the source is firmly seated. Try a different cable or source to isolate the issue.
6. **There's no audio coming from an attached subwoofer.**
 - Check that the RCA cable connected to and from the subwoofer is firmly seated. Try a different cable or source to isolate the issue.
 - Make sure the subwoofer is connected to a power outlet and is set to "On" or "Auto".

Specifications

YU2 POWERED SPEAKER SYSTEM

Tweeter	3/4 inch Silk Dome
Woofer	3 inch Kevlar
Nominal Impedance	4 Ohm
Sensitivity 2.83V (/1W/1m)	84 dB
Amplifier Type	Class D
Power Output	25 Watts RMS per channel
Input Sensitivity	550 mV
Total Harmonic Distortion	< 0.1%
Crossover System	2-way
Crossover Frequency	2.5 kHz
Frequency Response	80 Hz - 20kHz \pm 6 dB
Inputs	1 x 3.5mm stereo mini-jack AUX 1 x USB Audio
Outputs	1 x Subwoofer
Speaker Terminals	Left and Right Binding Posts
Input Voltage / Frequency	AC 100V-240V 50/60 Hz (auto switching)
Dimensions (each speaker)	W 3.9" x H 5.9" x D 5.3" (100 x 150 x 135mm)
Net Weight (active)	3 lbs (1.4kg)
Net Weight (passive)	2.8 lbs (1.3kg)
Gross Weight	7.9 lbs (3.6kg) (boxed pair)



NOTICE: *This appliance is labeled in accordance with European Directive 2002/96/EC concerning waste electrical and electronic equipment (WEEE). This label indicates that this product should not be disposed of with household waste. It should be deposited at an appropriate facility to enable recovery and recycling.*

Limited Warranty to Original Purchaser

Kanto Living Inc. (Kanto) warrants the equipment it manufactures to be free from defects in material for the limited warranty period of 2 years.

If equipment fails because of such defects and Kanto is notified within 24 months from the date of shipment with proof of original invoice from an authorized reseller, Kanto will, at its option, provide replacement parts or replace the equipment, provided that the equipment has not been subjected to mechanical, electrical, or other abuse or modifications. Any replacement parts or replacement units are warranted for 90 days from the day of reshipment to the original purchaser.

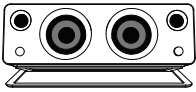
Customers will be responsible for obtaining a Return Authorization Number and paying shipping costs to return product to a Kanto location or authorized depot. If the equipment is covered under the warranty provisions above, Kanto will replace parts or provide a replacement unit, and be responsible for shipping costs to the customer. Please keep the original packaging to prevent damage to the product during shipping. Insuring your shipment is also recommended.

The information in the manual has been carefully checked and is believed to be accurate. However, Kanto assumes no responsibility for any inaccuracies that may be contained in the manual. In no event will Kanto be liable for direct, indirect, special, incidental, or consequential damages resulting from any defect in the equipment, even if advised of the possibility of such damages. This warranty is in lieu of all other warranties expressed or implied, including without limitation, any implied warranty, including any warranty of merchantability and fitness for any particular purpose, all of which are expressly disclaimed.

YU2 + S2



SYD



YU4

+

SP26PL

+

sub6



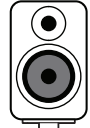
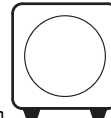
YU6

+

SP32PL

+

sub8



www.kantoaudio.com

f Kanto Audio

@kantoaudio

kantoaudio

Kanto Living

Kanto Living



US & Canada: 1-888-848-2643
UK: +44 800086999



support@kantoliving.com